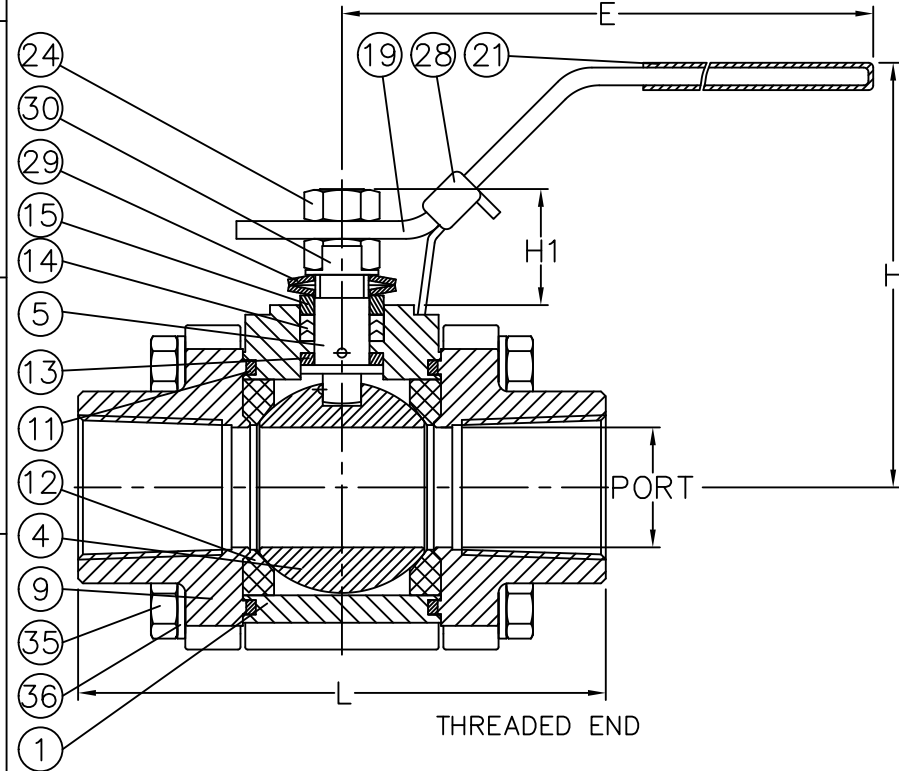
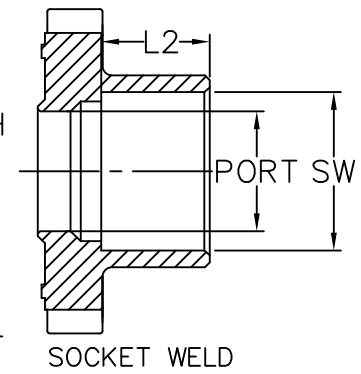
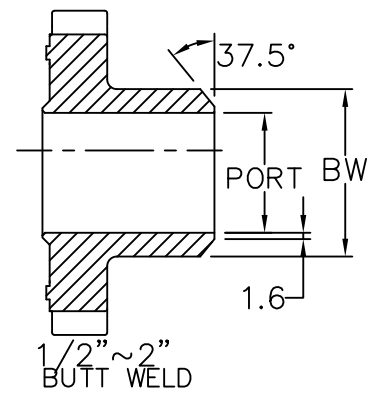
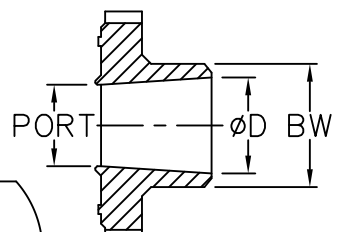
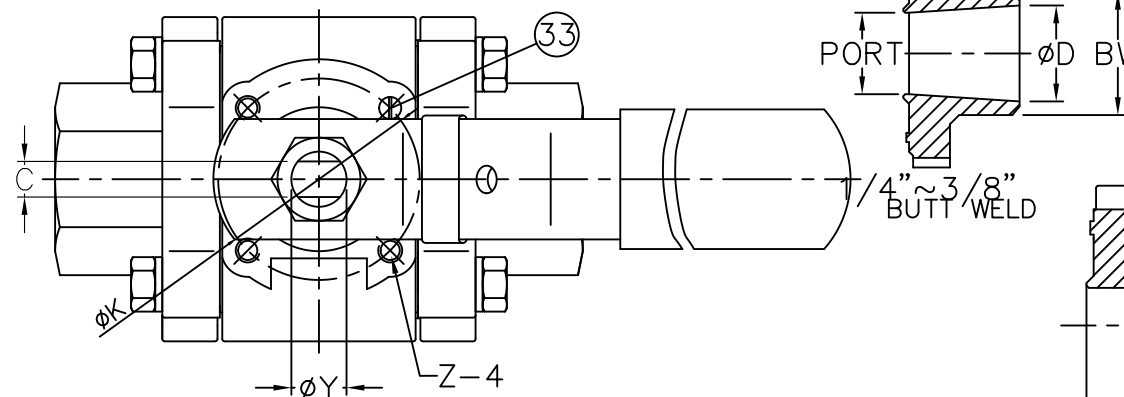


MODEL: THREE PIECE BALL VALVE

MATERIAL LIST

NO.	PART NAME	MATERIAL
1	BODY	A494 CW12MW
4	BALL	A494 CW12MW
5	STEM	N10276
9	END CAP	A494 CW12MW
11	BODY SEAL	PTFE
12	SEAT	RTFE(15%G.F.)
13	THRUST WASHER	PTFE
14	STEM PACKING	PTFE
15	GLAND BUSH	SS304
19	HANDLE	SS304
21	HANDLE COVER	PLASTIC
24	HANDLE NUT	SS304
28	LOCKING DEVICE	SS304
29	BELLEVILLE WASHER	SS301
30	TAB WASHER	SS304
33	STOP PIN	SS304
35	BODY BOLT	SS304
36	BOLT WASHER	SS304



DIMENSIONS

unit:mm

SIZE	PORT	L	E	H	H1	C	phi Y	phi K	Z	L2	SW	BW	phi D
DN8 1/4"	10.0	64.8	132.8	63.7	7.5	6.5	9.5	36.0	M5	10.0	14.1	13.7	10.0
DN10 3/8"	10.0	64.8	132.8	63.7	7.5	6.5	9.5	36.0	M5	10.0	17.6	17.5	12.7
DN15 1/2"	15.0	72.5	132.8	65.1	17.1	6.5	9.5	36.0	M5	10.0	21.7	22.7	
DN20 3/4"	20.0	84.2	132.8	73.2	18.1	6.5	9.5	36.0	M5	13.0	27.3	27.5	
DN25 1"	25.0	105.3	171.8	83.1	25.4	8.0	11.1	42.0	M5	13.0	33.9	34.0	
DN32 1 1/4"	32.0	111.0	171.8	87.6	26.2	8.0	11.1	42.0	M5	13.0	42.8	42.7	
DN40 1 1/2"	38.0	127.3	204.2	98.4	32.4	9.7	14.2	50.0	M6	13.0	48.7	48.6	
DN50 2"	50.0	153.4	230.0	125.0	28.5	12.0	19.05	70.0	M8	16.0	61.3	60.5	

CODE	V25		DRAWN	ROBIN	UNIT	mm	BODY	CW12MW	PIECE	THREE	SN	N/A
	CHECKED		FRED	SCALE	FREE	SEAT	RTFE	VALVE	V25	CONNECTION	TW, SW, BW END	
	APPROVED		ELMA	REVISION	02	FIRE SAFE	N/A	BORE	FULL	OPERATION	LEVER	
	DATE		2019/02/16	NOTE	N/A	PORT	2-WAY	TYPE	STANDARD	PRESSURE	2000 / 1500 PSI	